

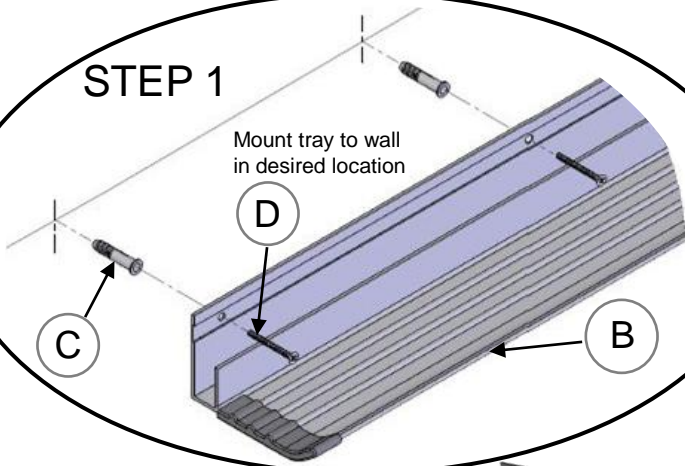
Newline would like to thank you for purchasing this high quality dry erase markerboard. We trust you will be completely satisfied with this product for years to come.

PARTS LIST							
	Name	Qty					
		3X4	4X4	4X6	4X8	4X10	4X12
A	Dry Erase panel	1	1	1	1	1	1
B	Tray	1	1	1	1	1	1
C	Drywall Anchor	6	6	8	8	10	12
D	Wall Anchor Screw	6	6	8	8	10	12
E	Angle Clip	3	3	4	4	5	6
F	Board Mounting Screw	3	3	4	4	5	6

Installation Instructions

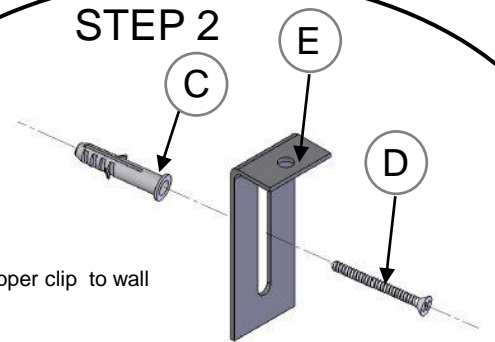
STEP 1

Mount tray to wall in desired location



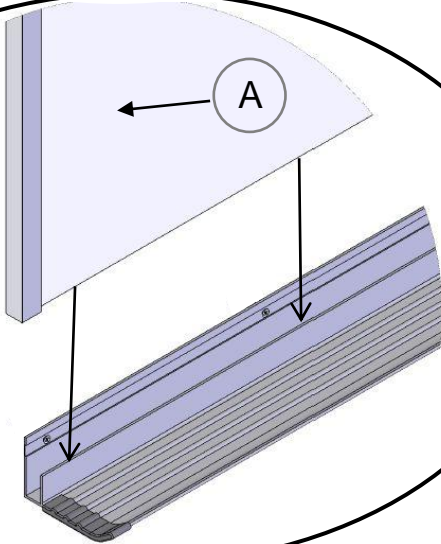
STEP 2

Mount upper clip to wall



STEP 3

Insert markerboard panel into slot in back of tray



STEP 4

Press clip down against trim and secure with screw

