

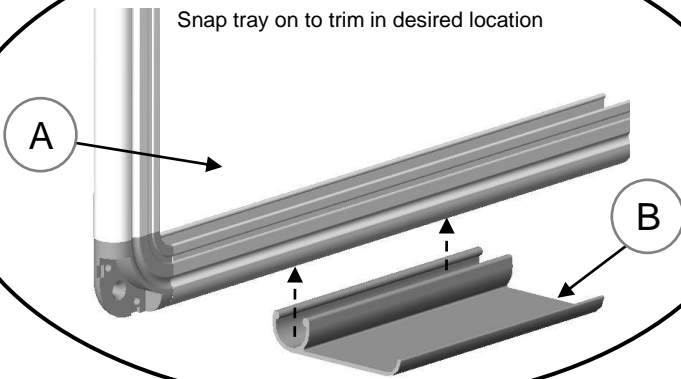
PARTS LIST		
	Name	Qty
A	Dry Erase Board	1
B	Tray	1
C	Drywall Anchor	4
D	Mounting Screw	4 or *8
E	Corner Cover	4 or *8
F	Support Bracket*	4

* For boards 48"X72" and larger, additional pieces are also provided

Installation Instructions

STEP 1

Snap tray on to trim in desired location



STEP 2

Mark wall through hole in 4 corners; drill hole



STEP 3

For boards 48"X72" and larger only

- Insert drywall anchor (C) in each hole
- Secure board to wall with mounting screw (D)
- Install corner cover (E) as shown
- When board is larger than 48"X72" install bracket (F) for additional support (4 locations – 2 top and 2 bottom)

