

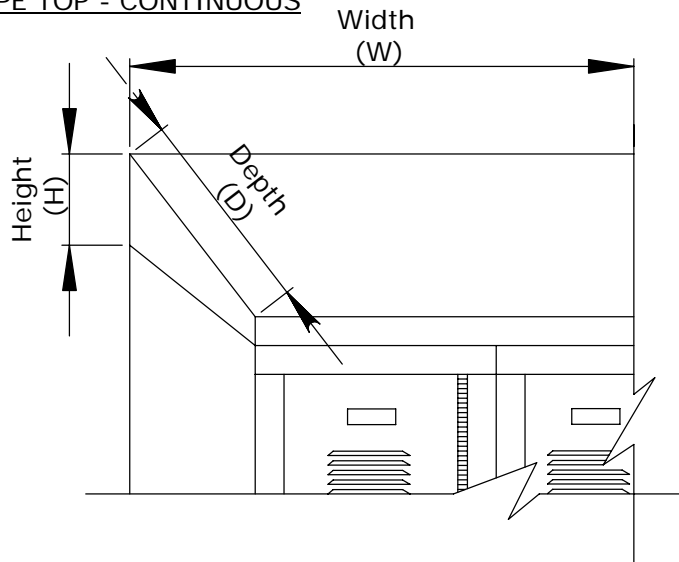


Newline Products, Inc
 2901 Technology Dr, Suite 135
 Plano, Texas 75074
 Tel: (972)-881-3318
 Fax: (972)-881-0985

ACCESSORIES

Tops

SLOPE TOP - CONTINUOUS

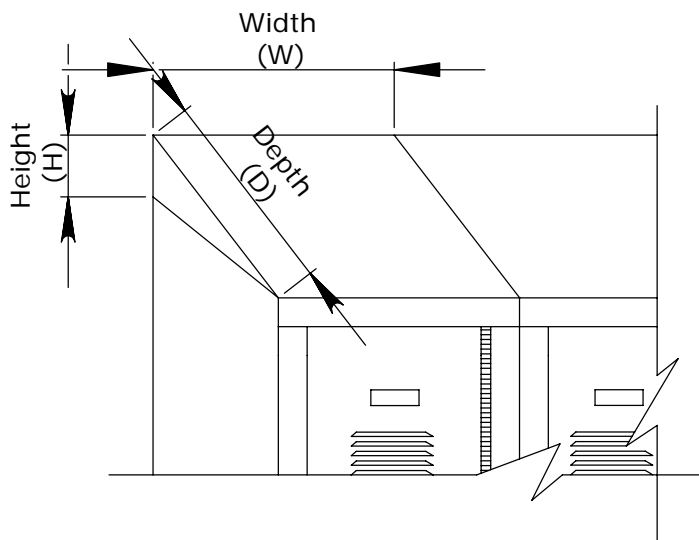


SIZE (inches)			
QUANTITY	W	D	H
	72	12	5
	72	15	6
	72	18	7
	72	21	8
	72	24	9

SPECIFICATION

Continuous Slope Hood shall be 18 gauge sheet steel, powder coated to match the color of the lockers. Hoods are 72 inches in length. For longer lengths, slip joints without visible fasteners at splice locations are provided. End closures are also provided. The slope has a rise equal to 1/3 of the locker depth, plus a 1 inch vertical rise at the front.

SLOPE TOP - INDIVIDUAL



SIZE (inches)			
QUANTITY	W	D	H
	12	12	4
	12	15	5
	12	18	6
	15	15	5
	15	18	6
	18	18	6

SPECIFICATION

Individual slope tops shall be 24 gauge sheet steel, powder coated to match the color of the lockers. Tops shall be formed to a slope which rises 1/3 of the locker depth.

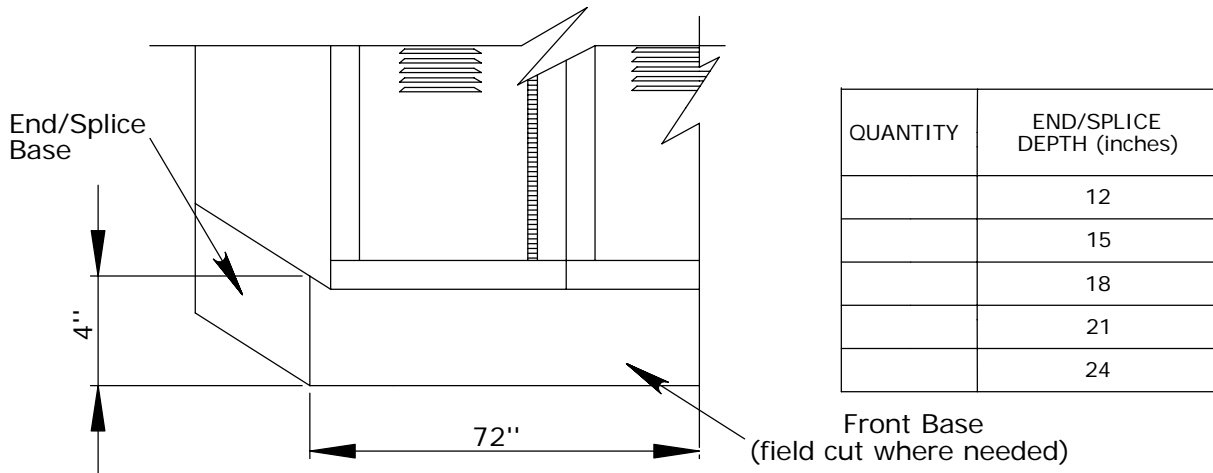


Newline Products, Inc
 2901 Technology Dr, Suite 135
 Plano, Texas 75074
 Tel: (972)-881-3318
 Fax: (972)-881-0985

ACCESSORIES

Bases

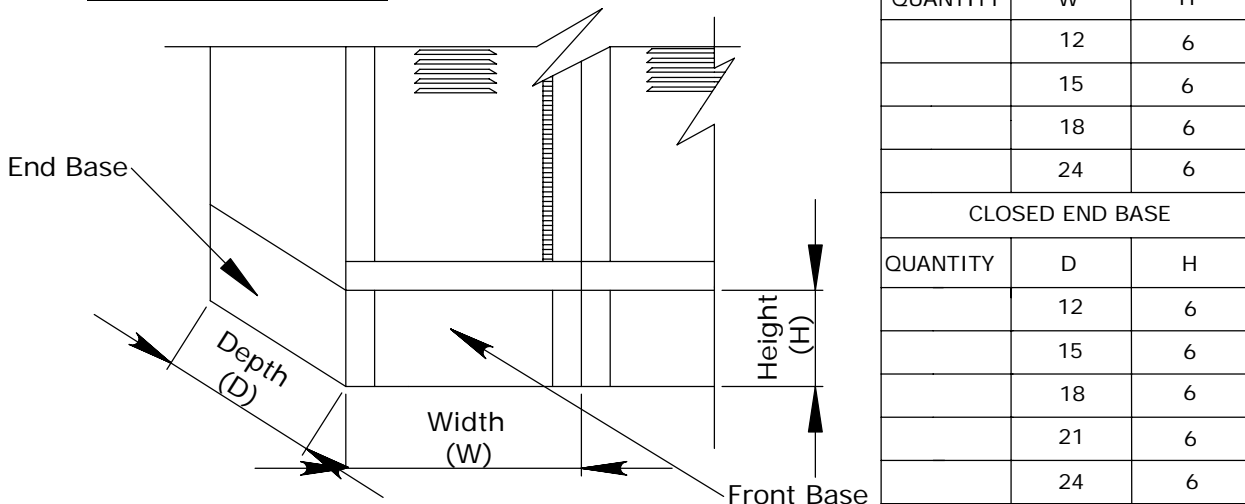
Z-BASE



SPECIFICATION

Z-BASES shall be 14 gauge sheet steel, powder coated to match the color of the lockers. Appropriate size end bases are provided.

FRONT & CLOSED END



SPECIFICATION

Front Base and Closed End Base shall be 18 gauge sheet steel, powder coated to match the color of the lockers. Front bases shall be installed between front legs without overlap or exposed fasteners. End bases shall be installed between front and rear legs at the end of a row.

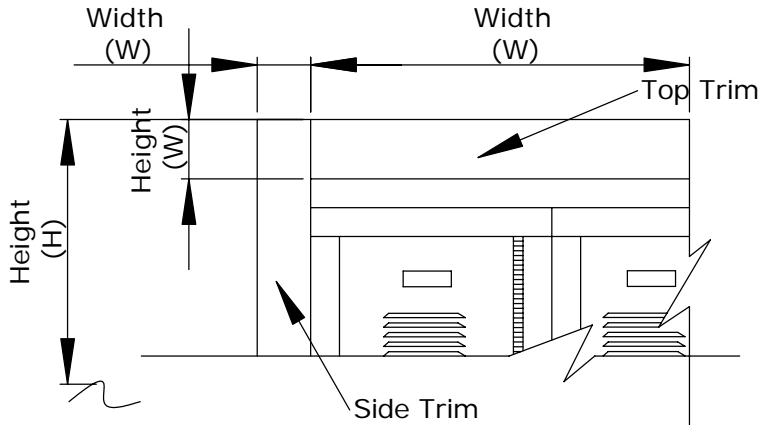


Newline Products, Inc
 2901 Technology Dr, Suite 135
 Plano, Texas 75074
 Tel: (972)-881-3318
 Fax: (972)-881-0985

ACCESSORIES

Trim & Fillers

TRIM - RECESSED

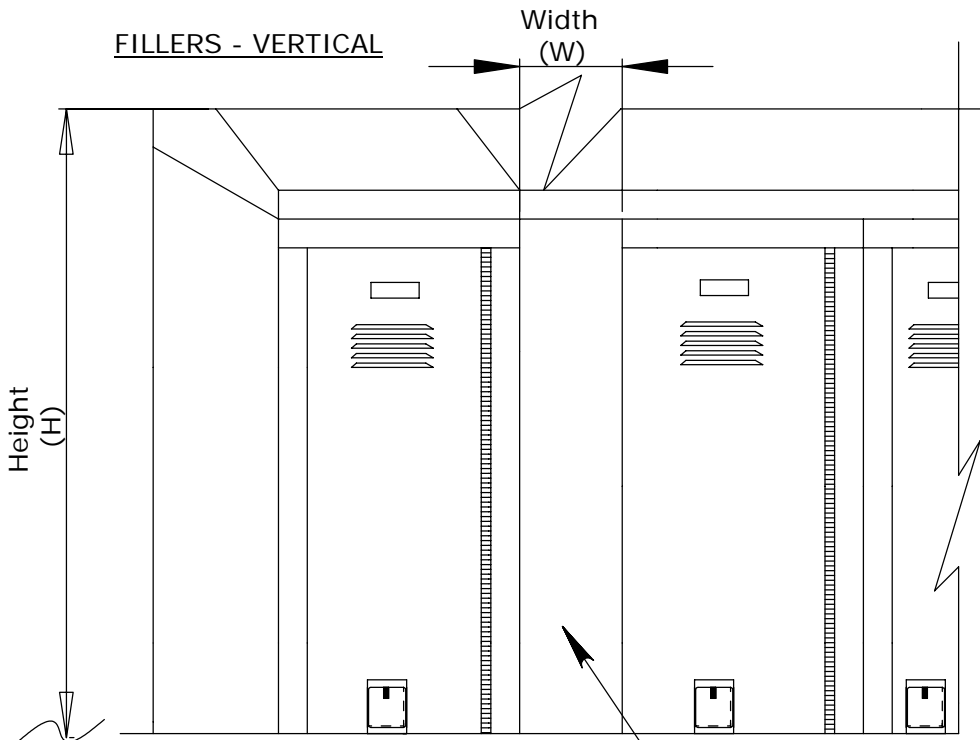


SIZE (inches)		
SIDE TRIM LEFT HAND		
QUANTITY	W	H
	3	63
	3	75
SIDE TRIM RIGHT HAND		
QUANTITY	W	H
	3	63
	3	75
TOP TRIM		
QUANTITY	W	H
	74	3
SPLICE		
QUANTITY	W	H
	2	3

SPECIFICATION

Recessed Trim shall be 18 gauge sheet steel, powder coated to match the color of the lockers. Trim shall have a 3 inch face and shall be attached to the lockers with concealed clips. Finished caps and end caps shall be provided as required.

FILLERS - VERTICAL



SIZE (inches)		
QUANTITY	W	H
	6	60
	6	66
	6	72
	6	78
	12	60
	12	66
	12	72
	12	78

SPECIFICATION

Vertical fillers shall be 20 gauge sheet steel, powder coated to match the color of the lockers. The fillers shall be formed in an angle and designed to be used with wall angle slip joints to conceal raw edges caused by field cutting and to create a solid and smooth finish.



Newline Products, Inc
2901 Technology Dr, Suite 135
Plano, Texas 75074
Tel: (972)-881-3318
Fax: (972)-881-0985

ACCESSORIES

Locks

BUILT-IN COMBINATION LOCKS

Master Lock 1630 RH

Master Lock 1631 LH

Master Lock 1652 (SPL)

COMBINATION PAD LOCK

Master Lock 1525

BUILT-IN KEY LOCKS

Master Lock 1710 RMK

Master Lock 1714 RMK

Flat Key Dead Bolt w/2 Keys

Flat Key Dead Bolt w/4 Keys

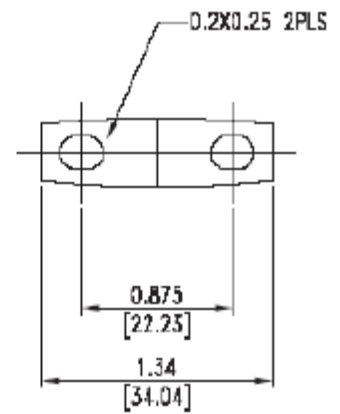
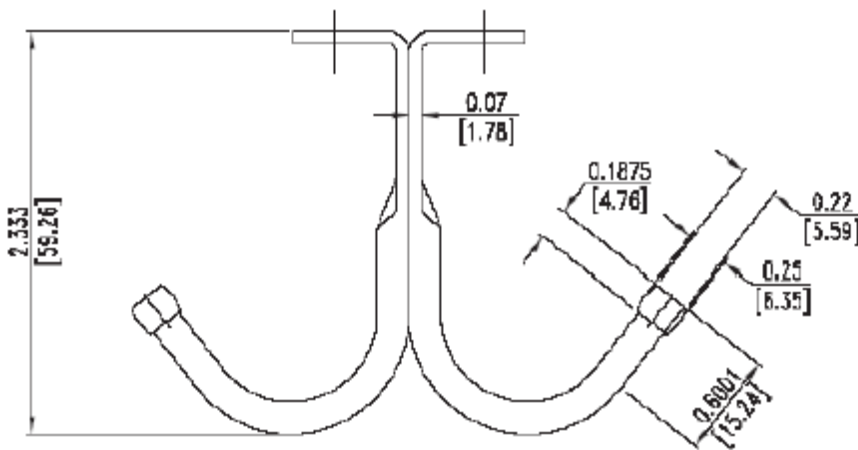
Flat Key Dead Bolt Keyed Alike



Newline Products, Inc
2901 Technology Dr, Suite 135
Plano, Texas 75074
Tel: (972)-881-3318
Fax: (972)-881-0985

ACCESSORIES

Double Prong Hook

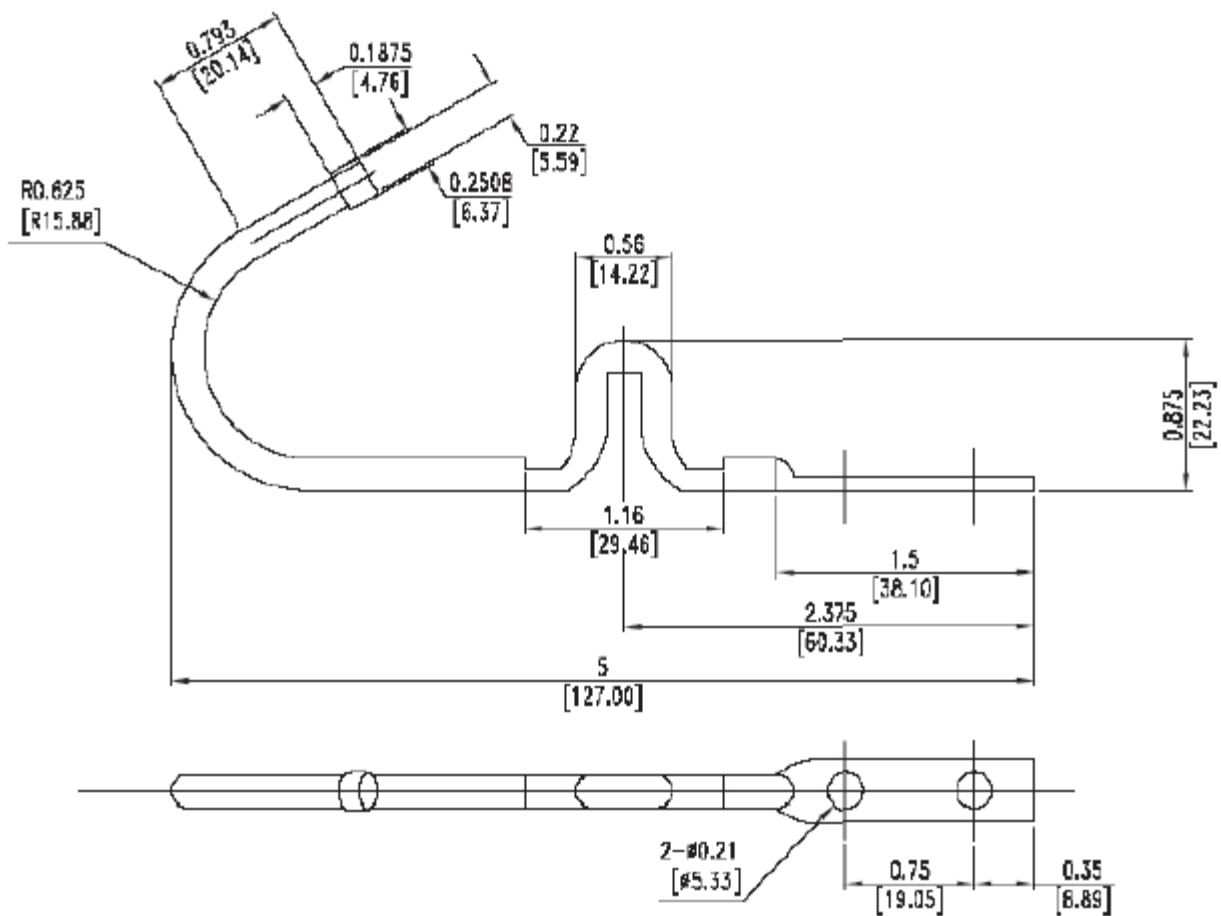




Newline Products, Inc
2901 Technology Dr, Suite 135
Plano, Texas 75074
Tel: (972)-881-3318
Fax: (972)-881-0985

ACCESSORIES

Coat Hook

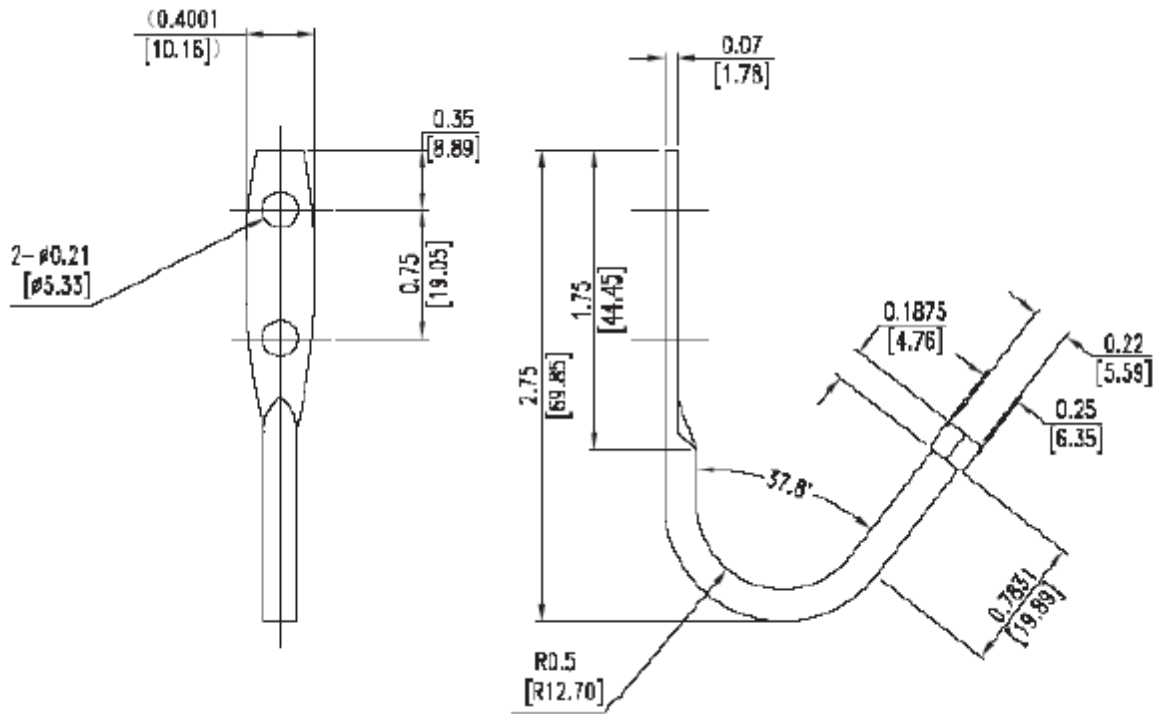




Newline Products, Inc
2901 Technology Dr, Suite 135
Plano, Texas 75074
Tel: (972)-881-3318
Fax: (972)-881-0985

ACCESSORIES

Single Prong Hook

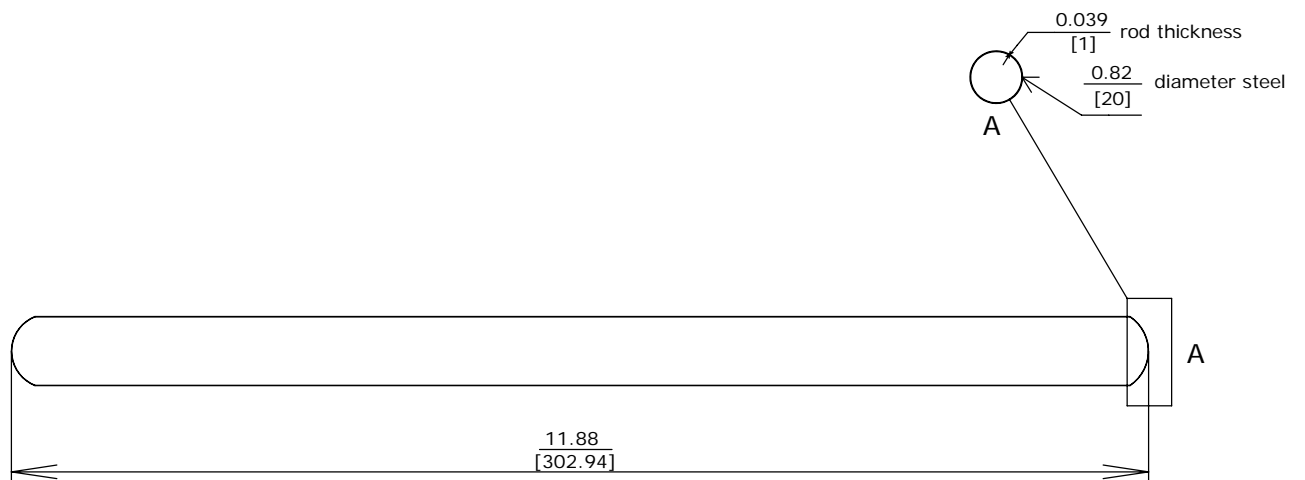




Newline Products, Inc
2901 Technology Dr, Suite 135
Plano, Texas 75074
Tel: (972)-881-3318
Fax: (972)-881-0985

ACCESSORIES

Coat Rod

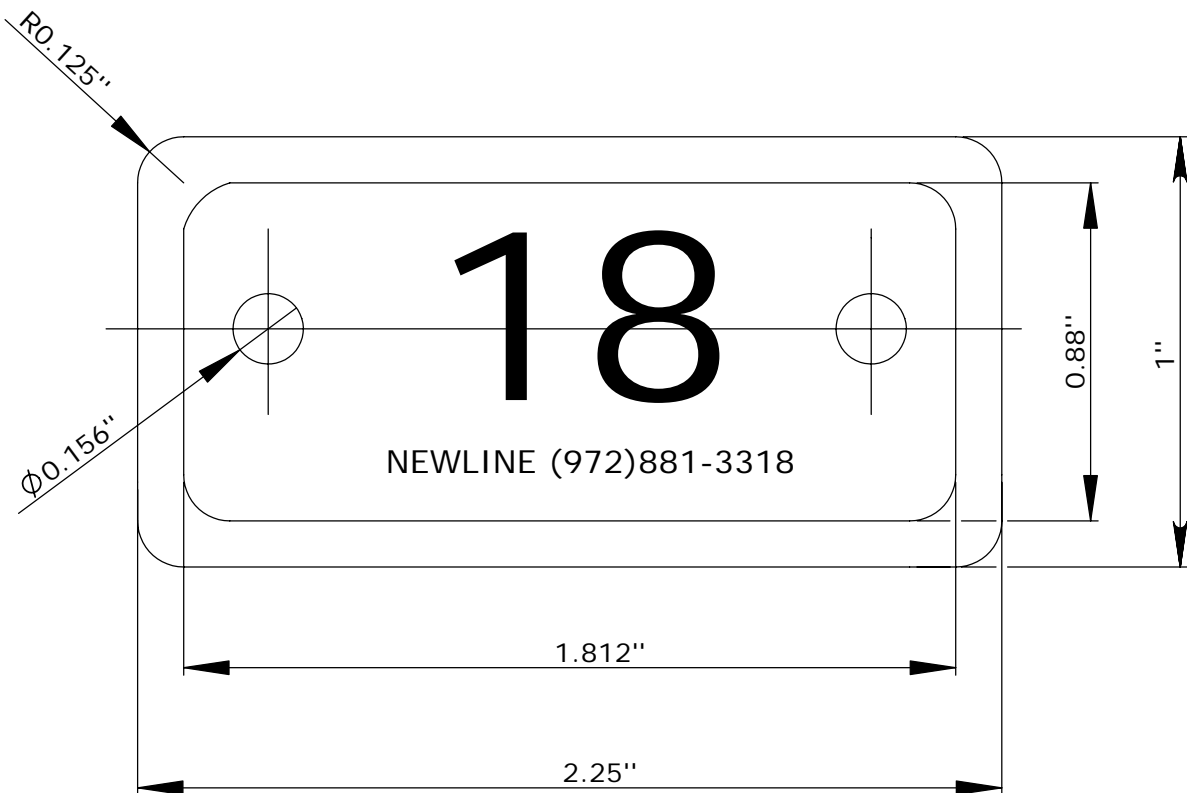




Newline Products, Inc
2901 Technology Dr, Suite 135
Plano, Texas 75074
Tel: (972)-881-3318
Fax: (972)-881-0985

ACCESSORIES

Number Plate



SPECIFICATION:

polished aluminum number plate with etched black numbers.

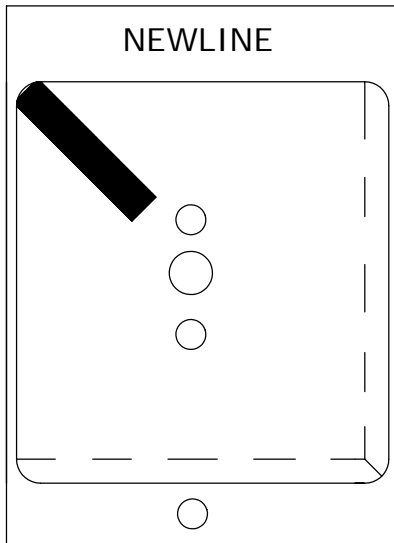
Our Locker sequence will be 1,2,3.....11,12,13.....; the optional sequence 001,002,003.....011,012,013..... will be also available.



Newline Products, Inc
2901 Technology Dr, Suite 135
Plano, Texas 75074
Tel: (972)-881-3318
Fax: (972)-881-0985

ACCESSORIES

Recessed Handle with
Single-point Latching



Handle: Deep-drawn seamless stainless steel recessed handle.

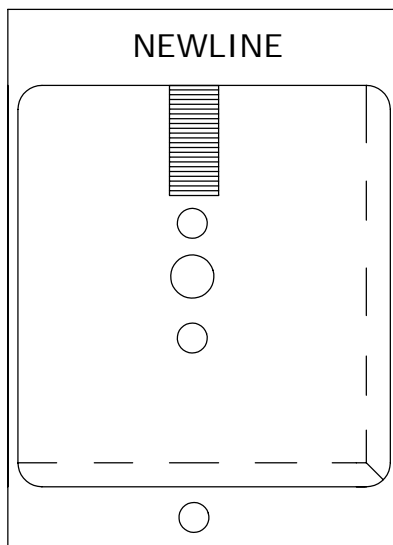
Latching: Single-point maintenance-free quiet latching system.



Newline Products, Inc
2901 Technology Dr, Suite 135
Plano, Texas 75074
Tel: (972)-881-3318
Fax: (972)-881-0985

ACCESSORIES

Recessed Handle with
Multi-point Latching



Handle: Deep-drawn seamless stainless steel recessed handle.

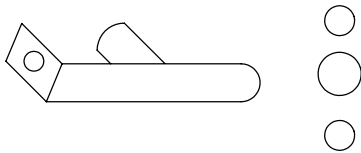
Latching: Gravity lift-type multi-point spring loaded latching.
Concealed quiet lock bar locked in place and isolated
from metal to metal contact by glides.



Newline Products, Inc
2901 Technology Dr, Suite 135
Plano, Texas 75074
Tel: (972)-881-3318
Fax: (972)-881-0985

ACCESSORIES

Three point Turn
Handle Latching



Handle: 3-point turn-handle latching.

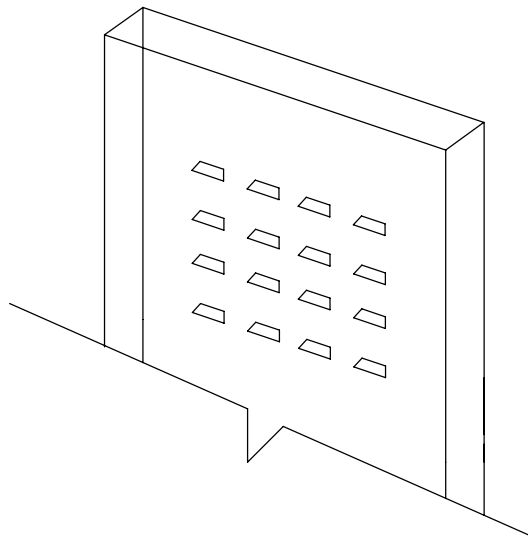
Latching: 3-point turn-handle latching engaging at frame top, bottom and center side of door, 3/8" diameter lock rods are the heaviest in the industry, 3/16" turn-handle welded to 11 gauge cam, 11 gauge lock plate keeper is welded to center side of frame



Newline Products, Inc
2901 Technology Dr, Suite 135
Plano, Texas 75074
Tel: (972)-881-3318
Fax: (972)-881-0985

ACCESSORIES

Mini Louver Ventilation



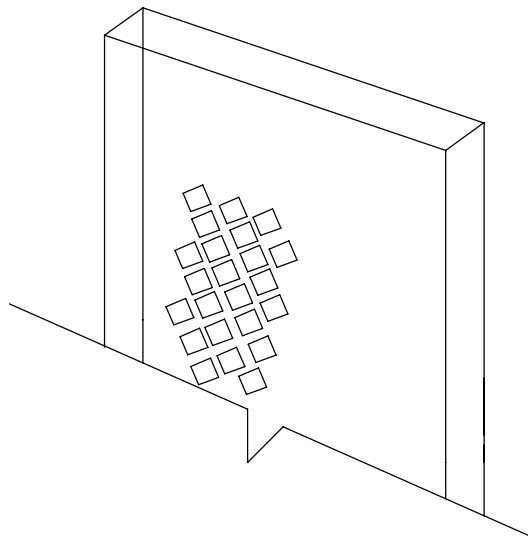
Mini Louvers



Newline Products, Inc
2901 Technology Dr, Suite 135
Plano, Texas 75074
Tel: (972)-881-3318
Fax: (972)-881-0985

ACCESSORIES

Diamond Ventilation



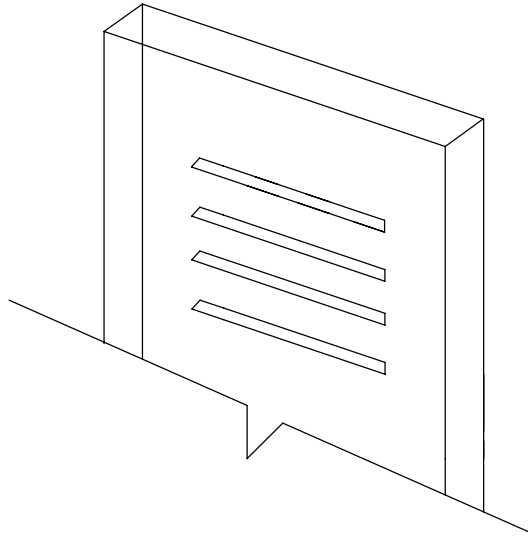
Diamond Vent



Newline Products, Inc
2901 Technology Dr, Suite 135
Plano, Texas 75074
Tel: (972)-881-3318
Fax: (972)-881-0985

ACCESSORIES

Louver Ventilation



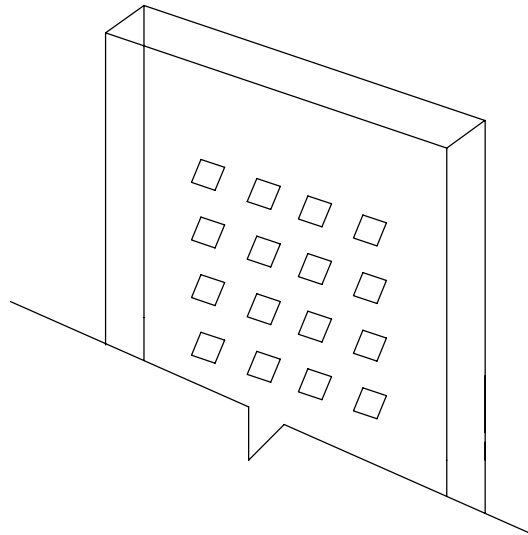
Louvers



Newline Products, Inc
2901 Technology Dr, Suite 135
Plano, Texas 75074
Tel: (972)-881-3318
Fax: (972)-881-0985

ACCESSORIES

Square Ventilation



Square Vent