

Newline would like to thank you for purchasing this high quality dry erase markerboard. We trust you will be completely satisfied with this product for years to come.

PARTS LIST

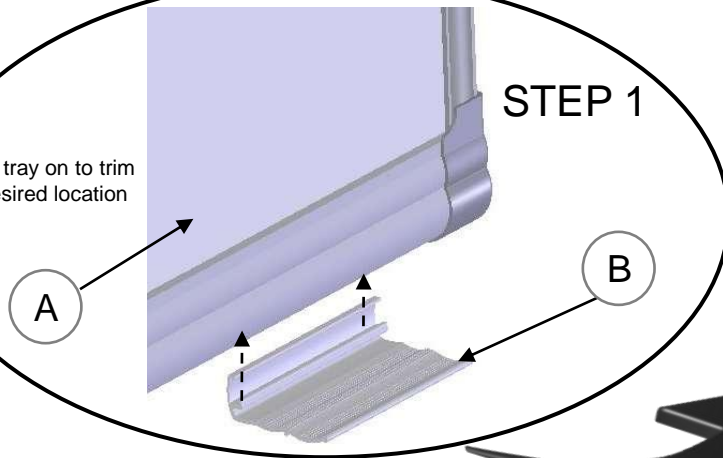
	Name	Qty
A	Dry Erase Board	1
B	Tray	1
C	Drywall Anchor	4
D	Mounting Screw	4 or *8
E	Corner Cover	4 or *8
F	Support Bracket*	4

* For boards 48"X72" and larger additional pieces are also provided

Installation Instructions

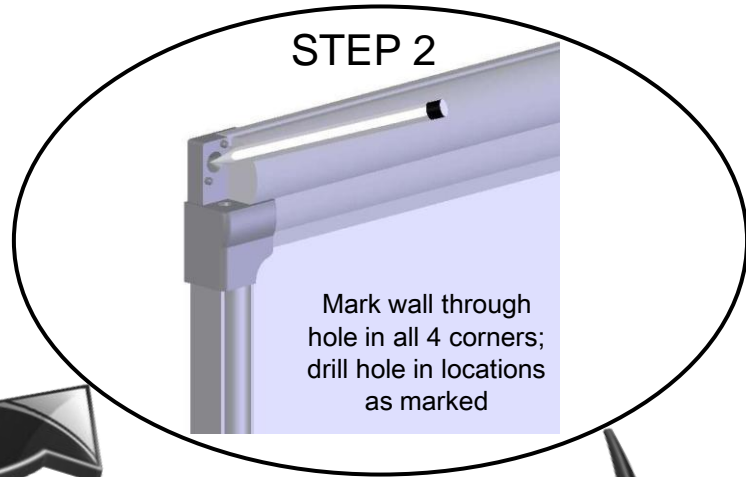
STEP 1

Snap tray on to trim in desired location



STEP 2

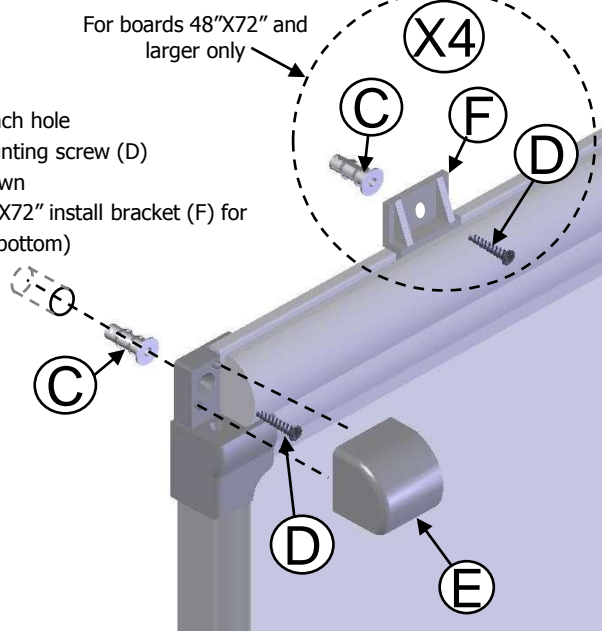
Mark wall through hole in all 4 corners; drill hole in locations as marked



STEP 3

For boards 48"X72" and larger only

- Insert drywall anchor (C) in each hole
- Secure board to wall with mounting screw (D)
- Install corner cover (E) as shown
- When board is larger than 48"X72" install bracket (F) for additional support (2 top and 2 bottom)



Finished corner

