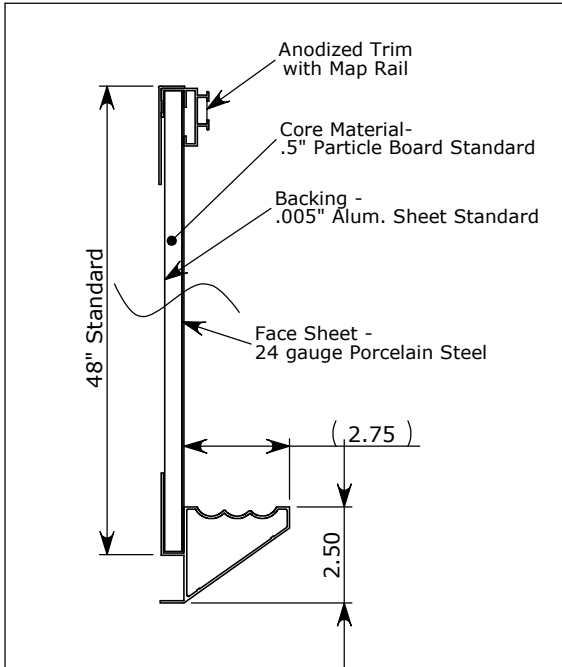
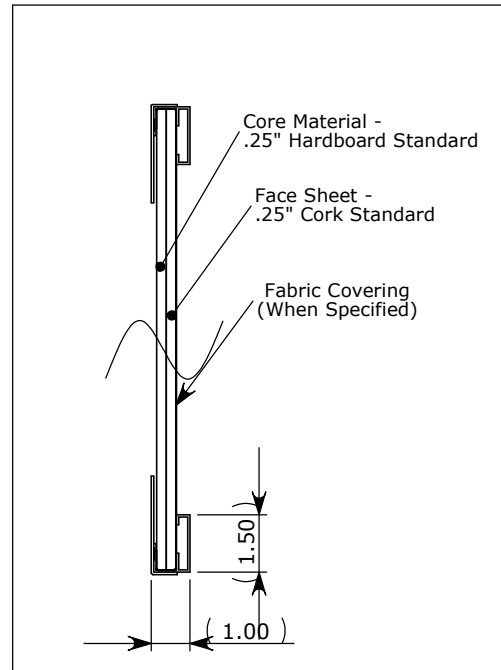


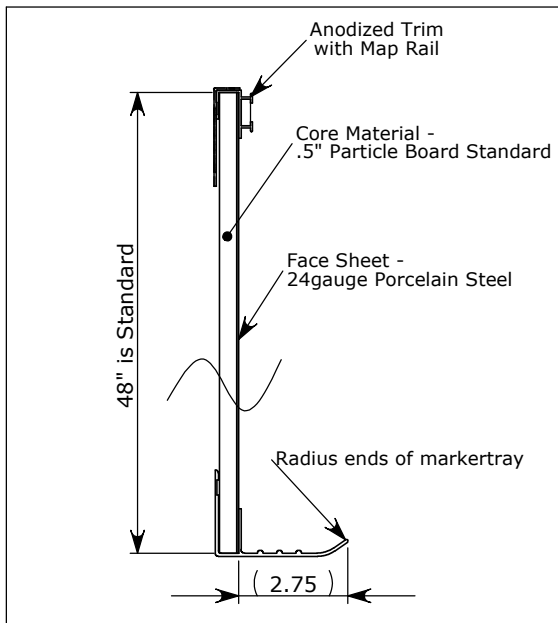
REVISIONS				
ZONE	REV.	DESCRIPTION	DATE	APPROVED



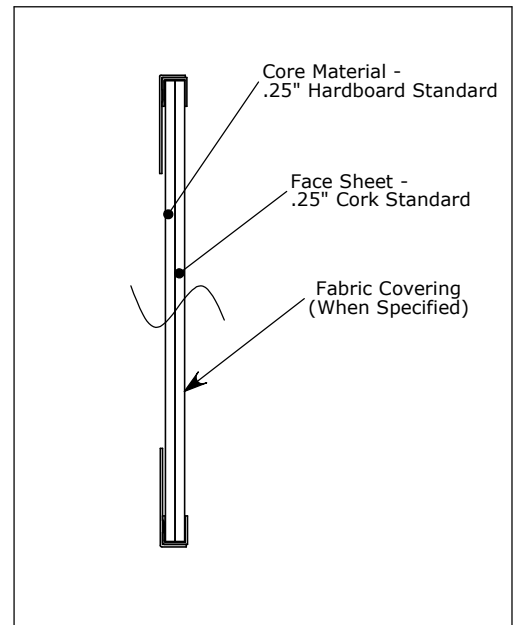
Markerboard  
(Box Style)



Tackboard  
(Box Style)



Markerboard  
(Flat style)



Tackboard  
(Flat Style)

1.) Drawing is for assembly description only.  
Some parts are not to scale for clarity purposes.

<b>PROPRIETARY AND CONFIDENTIAL</b> THE INFORMATION CONTAINED IN THIS DRAWING IS THE SOLE PROPERTY OF NEWLINE PRODUCTS INC. ANY REPRODUCTION IN PART OR AS A WHOLE WITHOUT THE WRITTEN PERMISSION OF NEWLINE PRODUCTS INC. IS PROHIBITED.			DIMENSIONS ARE IN INCHES TOLERANCES: FRACTIONAL ± ANGULAR: MACH ± BEND ± TWO PLACE DECIMAL ± THREE PLACE DECIMAL ±		NAME DRAWN KMJ CHECKED KMJ ENG APPR. MFG APPR. Q.A. COMMENTS:	DATE 2002/06/08 2002/06/08	<b>NEWLINE PRODUCTS, INC.</b>  <b>Visual Display Boards (Deluxe Series)</b>
			MATERIAL Various				
	NEXT ASSY	USED ON	FINISH SEE NOTES ABOVE				
	APPLICATION		DO NOT SCALE DRAWING				
					SIZE DWG. NO. <b>A</b>	REV.	
				SCALE:1:5	WEIGHT:	SHEET 1 OF 1	